



# Conduit Outlet Bodies

## RB Round Boxes



### EXPLOSIONPROOF

For UL.60079-1 Standard Class I,II Div.1 and 2 Groups C,D,E,F and G

For IEC.60079-0/1 Standard Zone 1 and Zone 2

#### Technical data

Type of Protection: Ex d IIA T6  
 Conforming to : Standards IEC 60079-1 or UL 60079-1  
 Marking for test : Ex II2G  
 Degree of Protection : IP65 acc.To IEC 60529  
 Ambient Temp. (Ta) : -20°C to+ 75 °C  
 Type :RB  
 Protection class for UL. : Class I, Division1 or 2 Group.C,D  
 Class II, Division 1 or 2 Groups.E,F,G  
 Class III  
 Protection class for IEC : Zone1and Zone 2  
 Options : Seal NBR rubble IP65 at inner cover for outdoor  
 Conduit hub - 1/2" - 2" NPT.

#### Applications:

The *RB* round boxes are designed for use in the conduit system in hazardous areas to  
 provide opening for tap, splice or pull outlet for conductors.  
 provide an access to conduit system for maintenance.  
 change conduit direction.  
 use with threaded rigid steel conduit ( RSC ) or intermediate metal conduit ( IMC ).  
 use in indoor or outdoor\*1 in damp, wet or corrosive locations.

#### Features:

- Compact rectangular shape.
- Threaded cover opening provided for easy access.
- Smooth, well-rounded conduit stop in each hub to protect conductor insulation.
- Five different conduit hub arrangements.
- Furnished with mounting lugs.
- Copper-free aluminium construction for corrosion resistant.

#### Standard Materials:

- Body and cover - Copper-free aluminium
- Bolts - Stainless steel

#### Standard Finishes:

- Copper-free aluminium - Epoxy-polyester powder
- Gasket ☆ - Natural

#### Options :

- ☆ Seal gasket, add suffix - **G** to Cat.,No.  
 2.1/2 to 4 inches NPT size are available on request.

\*1 Seal gasket for raintight fit is optional.



ISO9001:2008



**RBB**



**RBC**



**RBL**



**RBT**



**RBX**



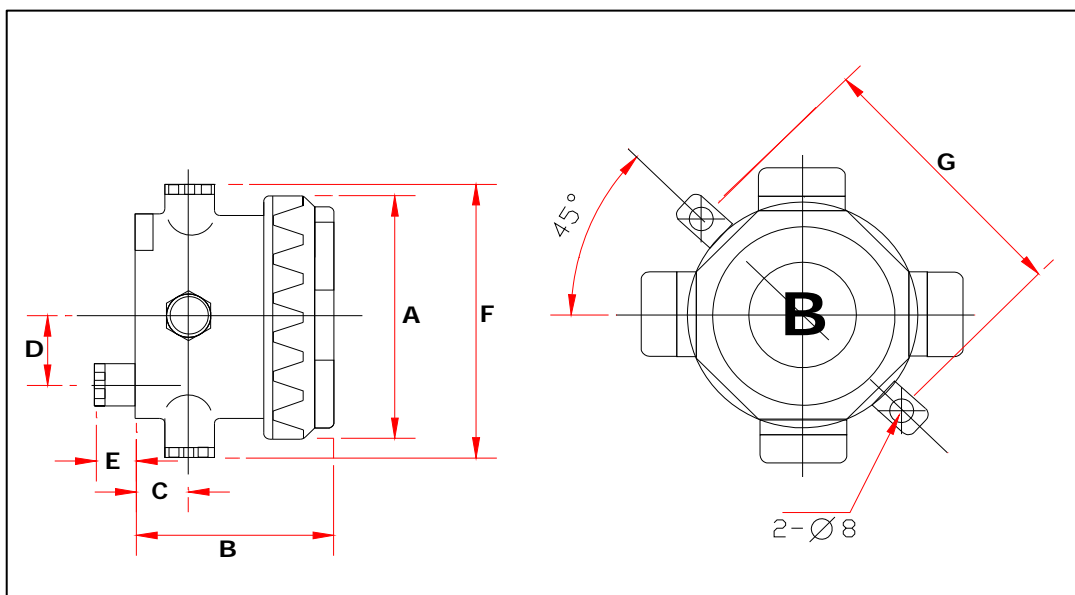
# Conduit Outlet Bodies

## RB Round Boxes

EXPLOSIONPROOF

For UL.60079-1 Standard Class I,II Div.1 and 2 Groups C,D,E,F and G

For IEC.60079-0/1 Standard Zone 1 and Zone 2



Hub Size. NPT ( inch )	Cat.,No.					Dimension in mm.						
						A	B	C	D✦	E✦	F	G
1/2"	RBB 1	RBC 1	RBL 1	RBT 1	RBX 1	95	80	19	17	23	133	111
3/4"	RBB 2	RBC 2	RBL 2	RBT 2	RBX 2	95	80	19	17	23	133	111
1"	RBB 3	RBC 3	RBL 3	RBT 3	RBX 3	95	80	19	17	23	133	111
1.1/4"	RBB 4	RBC 4	RBL 4	RBT 4	RBX 4	136	115	37	35	28	170	151
1.1/2"	RBB 5	RBC 4	RBL 5	RBT 5	RBX 5	136	115	37	35	28	170	151
2"	RBB 6	RBC 6	RBL 6	RBT6	RBX 6	136	115	37	35	28	170	151

✦ Dimension only for **RBB** Type